

D-Amp:  
 2xS in Intensity Mode  
 S-P in Frequency Mode

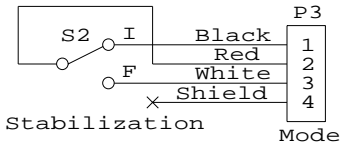
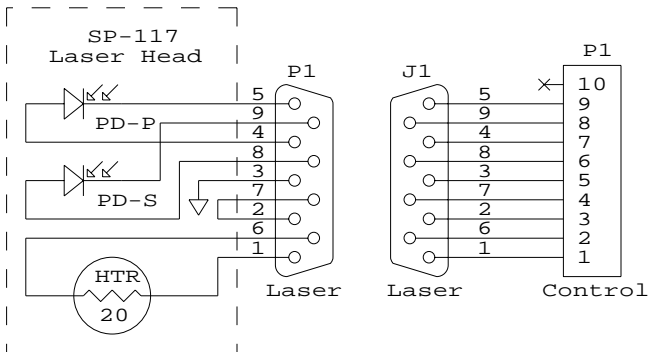
I Mode AND Stable

D-Amp-

10xD-Amp

D-Int

Mod-Amp



Drawn by: Samuel M. Goldwasser		
sam@repairfaq.org		
Title		
Spectra-Physics 117A Analog Section		
Size	Document Number	REV
A	SP117A-A-SCH	G
Date:	April 21, 2016	Sheet 3 of 3