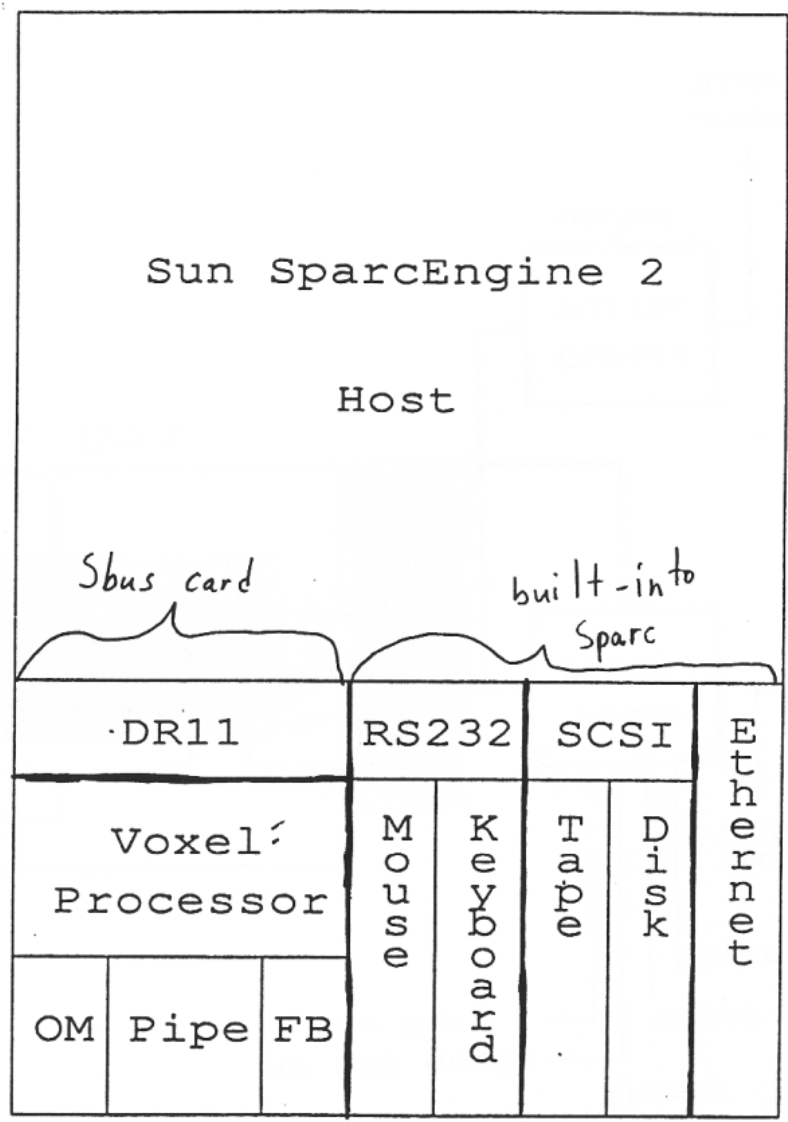


Software



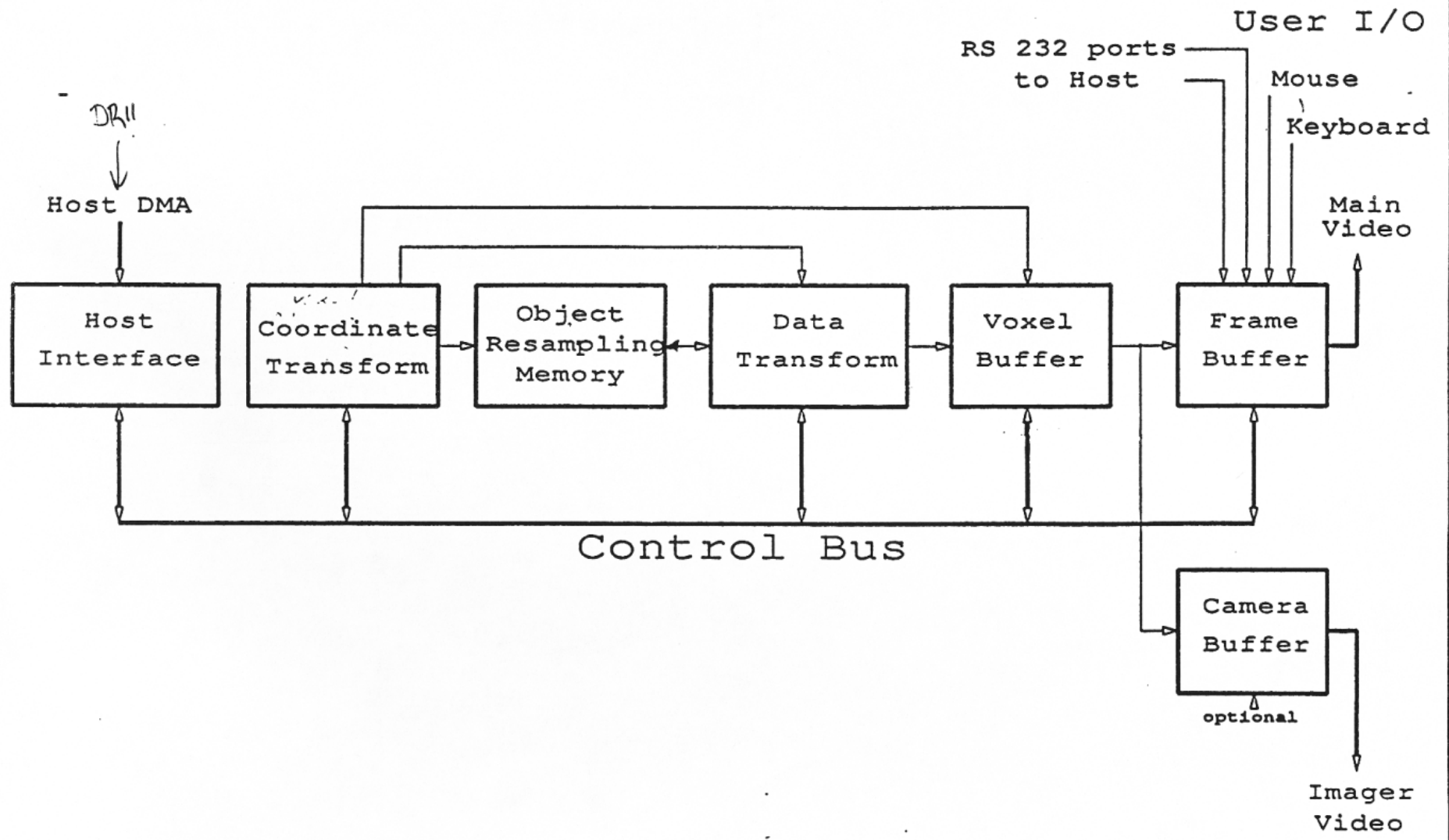
Hardware

Voxel

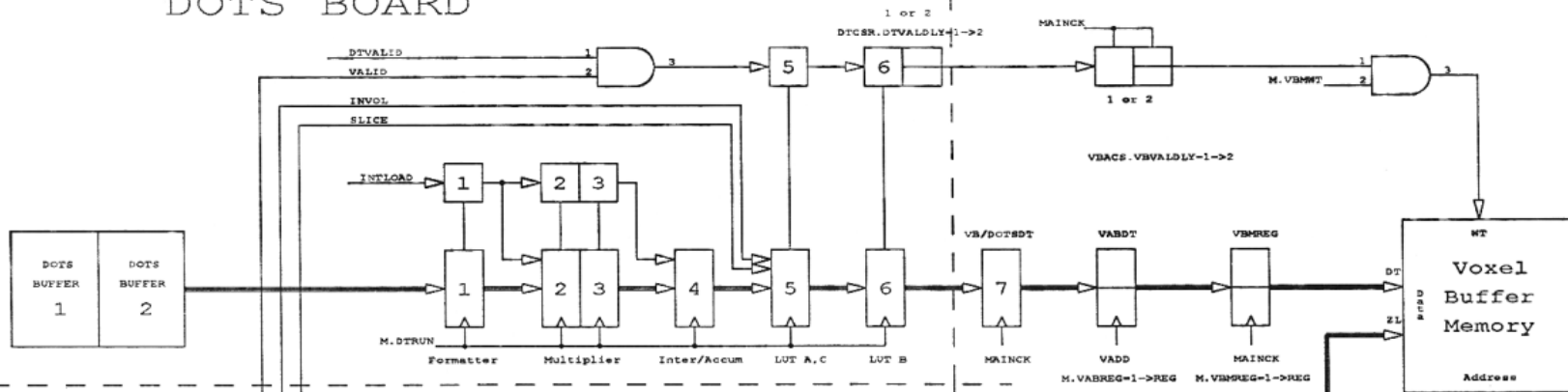
System Design

Dynamic Digital Displays, Inc. 130 Radnor-Chester Road St. Davids, PA 19087	
Title	VoxelScope System Design
File/Document Number	REV 00
c	
Date: September / 1991	Sheet 1 of 1

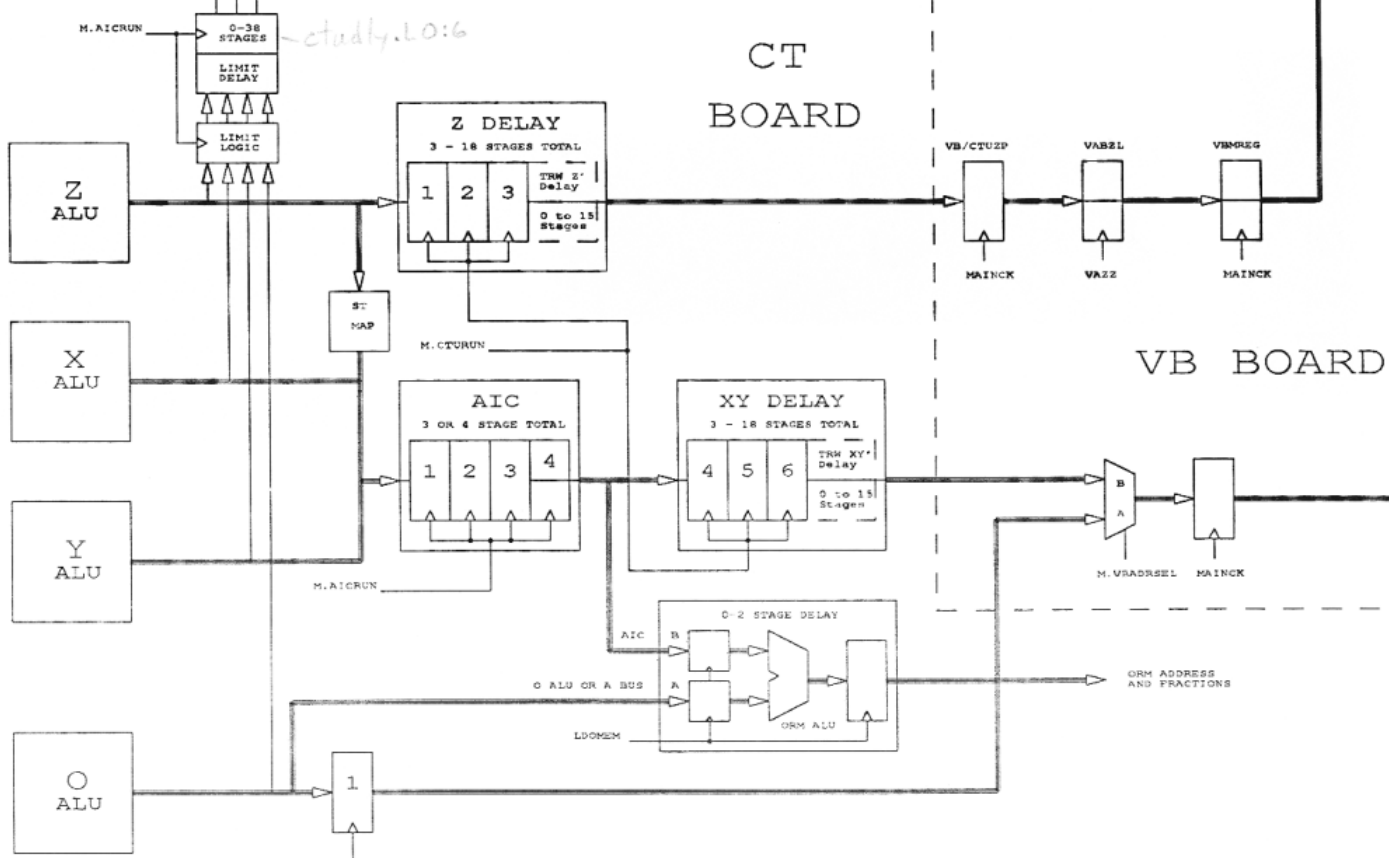
VOXEL PROCESSOR (II+)



DOTS BOARD



CT BOARD



VB BOARD

NOTE: an M. preceding a signal denotes microcode control. However, check appropriate include file for actual value to use.

Dynamic Digital Displays, Inc. 130 Radnor-Chester Road, Suite 100 St. Davids, PA 19087		
Title	VS-III Pipeline Delay Diagram	REV
Size	Document Number 1000pp001	DC
Date	August 13, 1990	Sheet 1 of 1