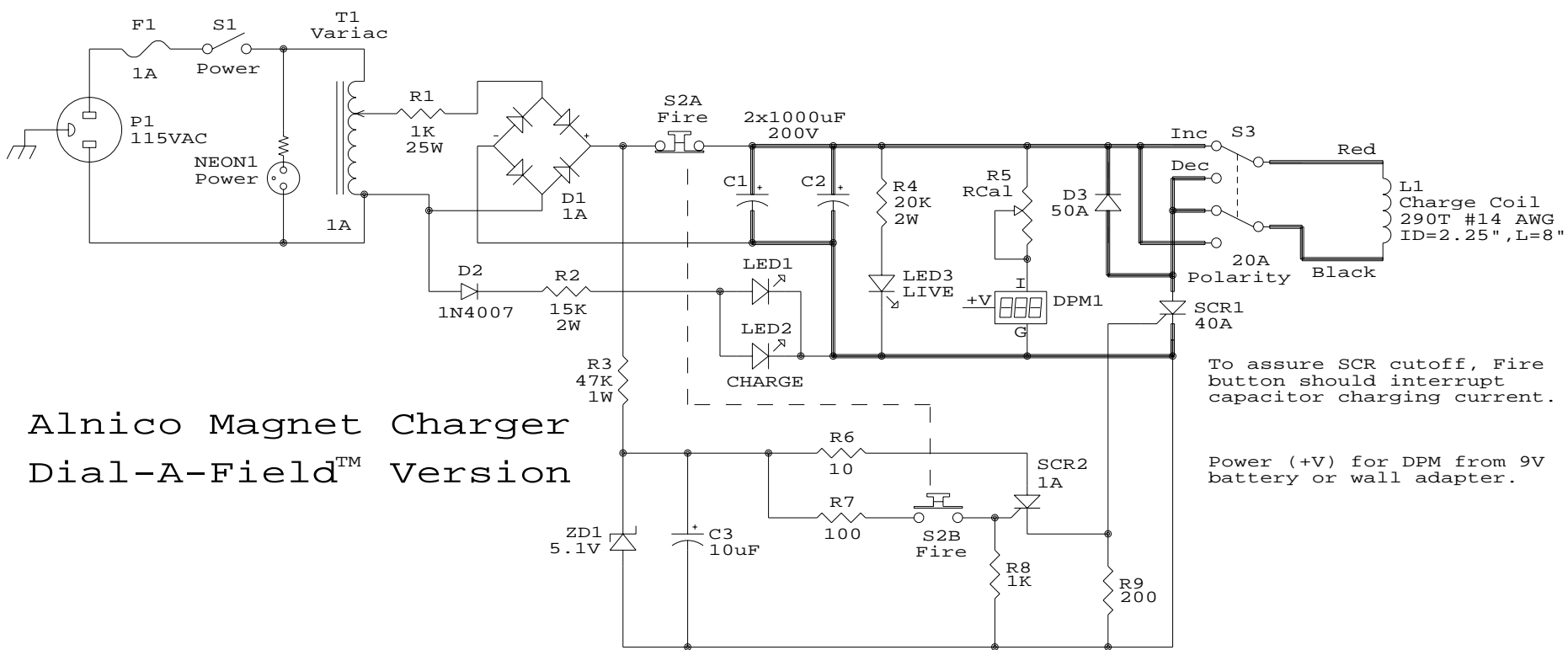


Alnico Magnet Charger Basic Version

Fire "button" is heavy duty push-button switch, contactor, or the stripped ends of two WELL INSULATED wires.



Alnico Magnet Charger Dial-A-Field™ Version

To assure SCR cutoff, Fire button should interrupt capacitor charging current.

Power (+V) for DPM from 9V battery or wall adapter.

**WARNING: ALL WIRING IS LINE
CONNECTED - NO ISOLATION**

Samuel M. Goldwasser		
Repairfaq.org		
Title Basic & Dial-A-Field Alnico Magnet Chargers		
Size	Document Number	REV
A	SGDF1	1.2
Date:	April 26, 2020	Sheet of
	3	2 1