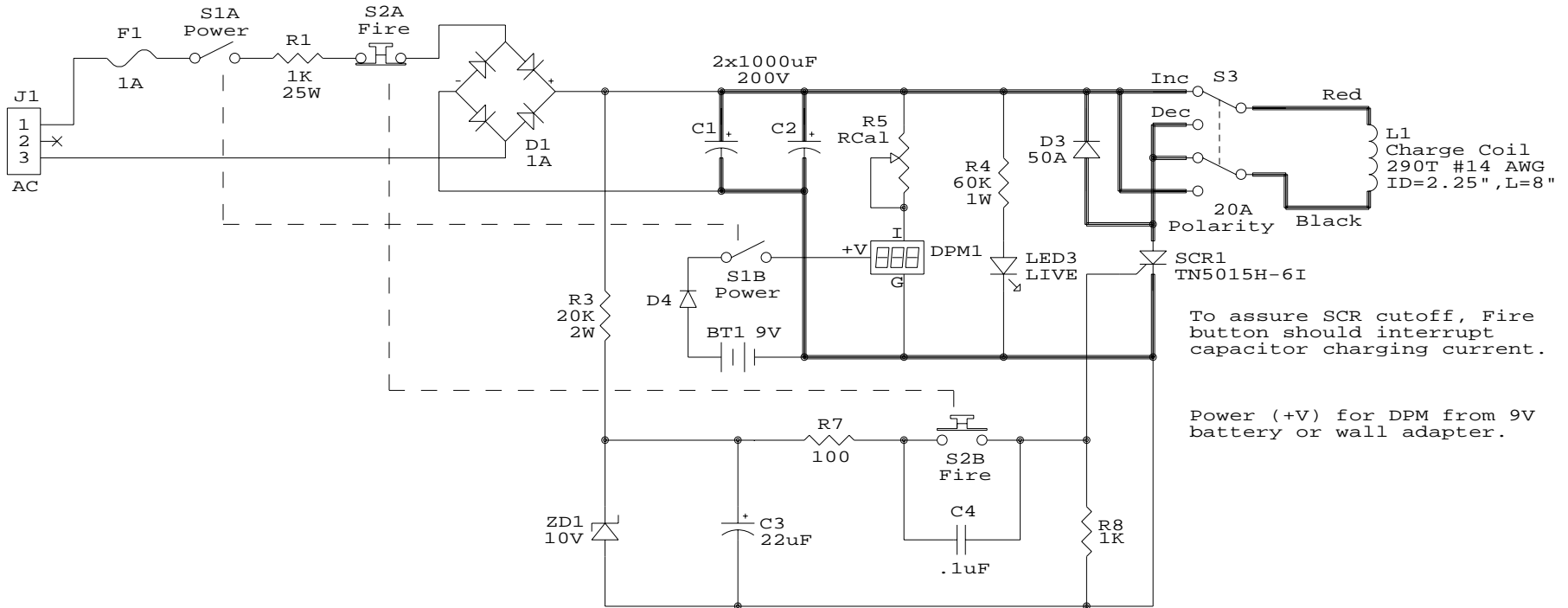


WARNING: ALL WIRING IS LINE CONNECTED - NO ISOLATION



### Dial-A-Field™ Alnico Magnet Charger 3 External Variac Version

|   |                 |          |
|---|-----------------|----------|
| Samuel M. Goldwasser                          |                 |          |
| Repairfaq.org                                 |                 |          |
| Title<br>Dial-A-Field Alnico Magnet Charger 3 |                 |          |
| Size  | Document Number | REV      |
| A   | SGDF3           | 1.0      |
| Date:   | April 26, 2020  | Sheet of |
|   | 3               | 2 1      |