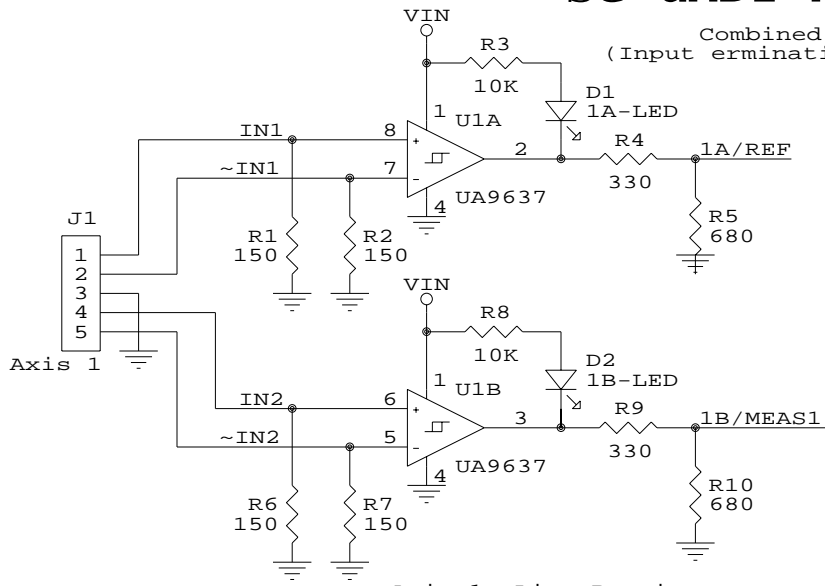
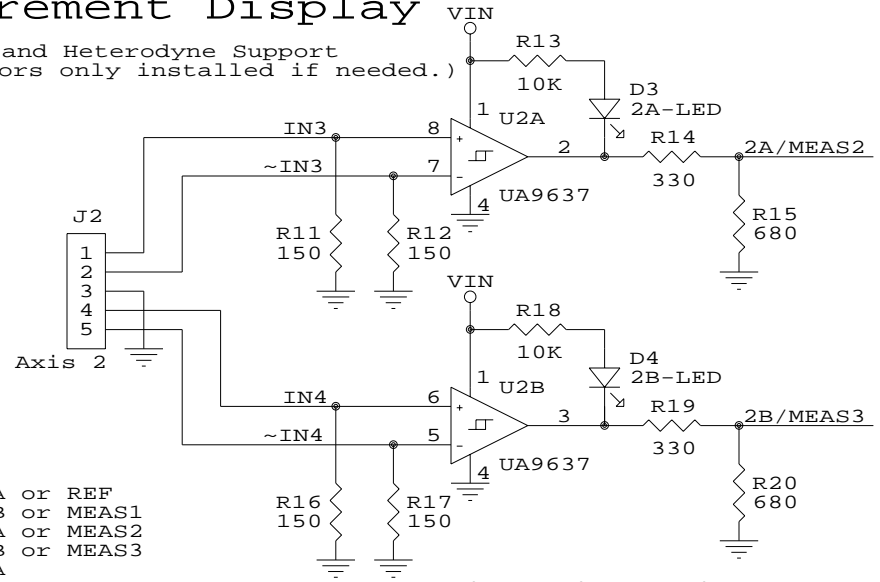


SG-uMD2 Measurement Display

Combined Homodyne and Heterodyne Support
(Input termination resistors only installed if needed.)

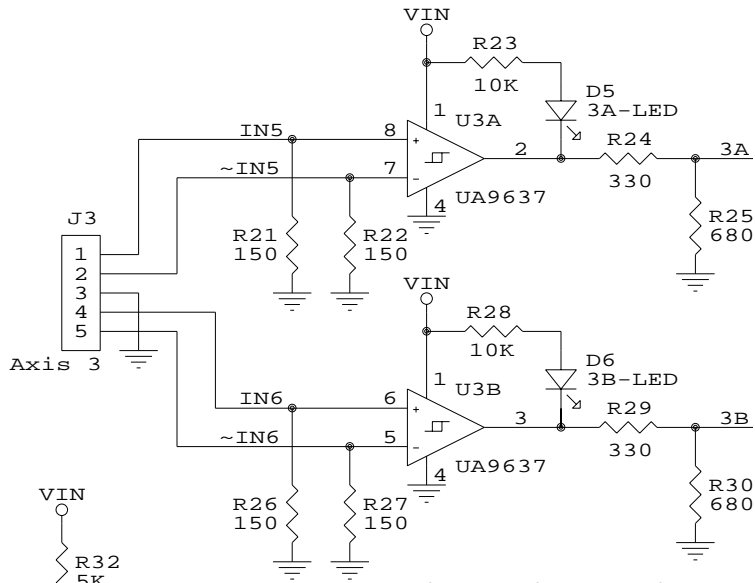


Axis 1 Line Receiver

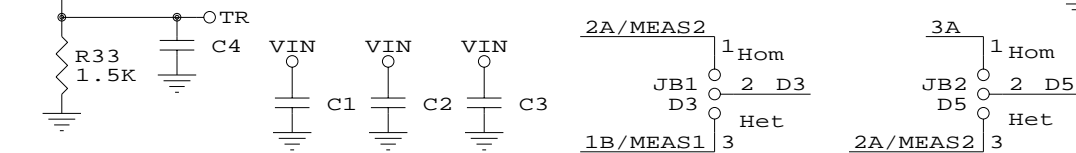
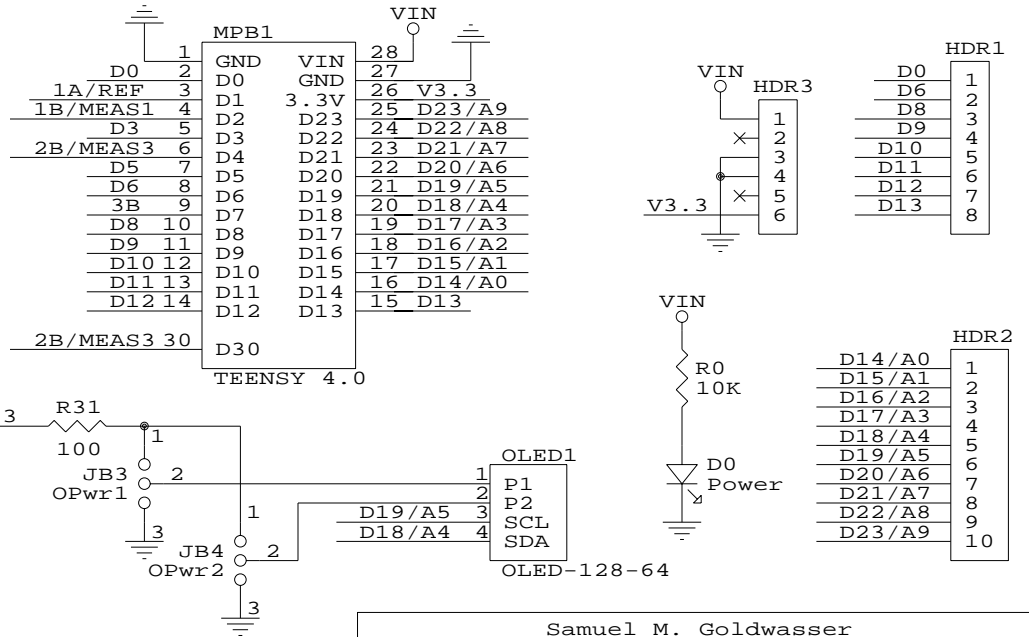


Axis 2 Line Receiver

IN1: 1A or REF
IN2: 1B or MEAS1
IN3: 2A or MEAS2
IN4: 2B or MEAS3
IN5: 3A
IN6: 3B



Axis 3 Line Receiver



Samuel M. Goldwasser		
Repairfaq.org		
Title SG-uMD2 Measurement Display		
Size	Document Number	REV
A	SG-uMD2	1.0
Date:	January 1, 2021	Sheet of
	3	2 1