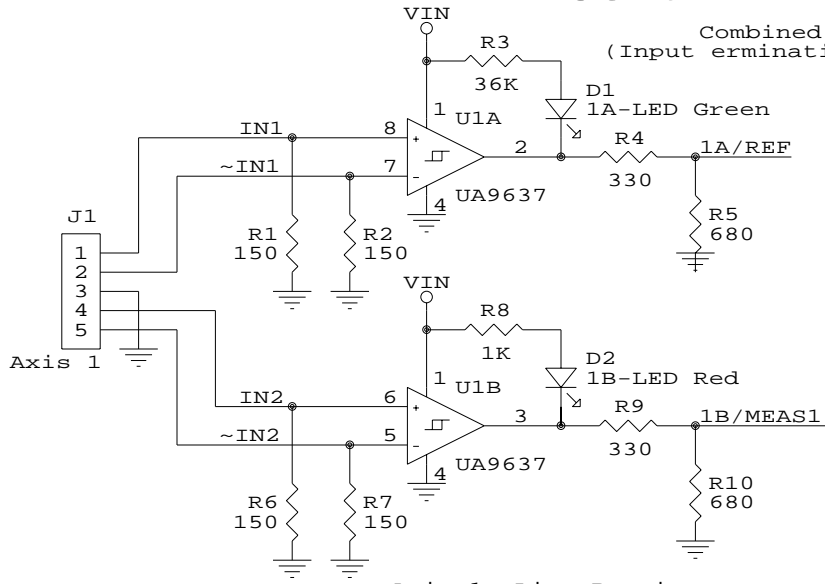
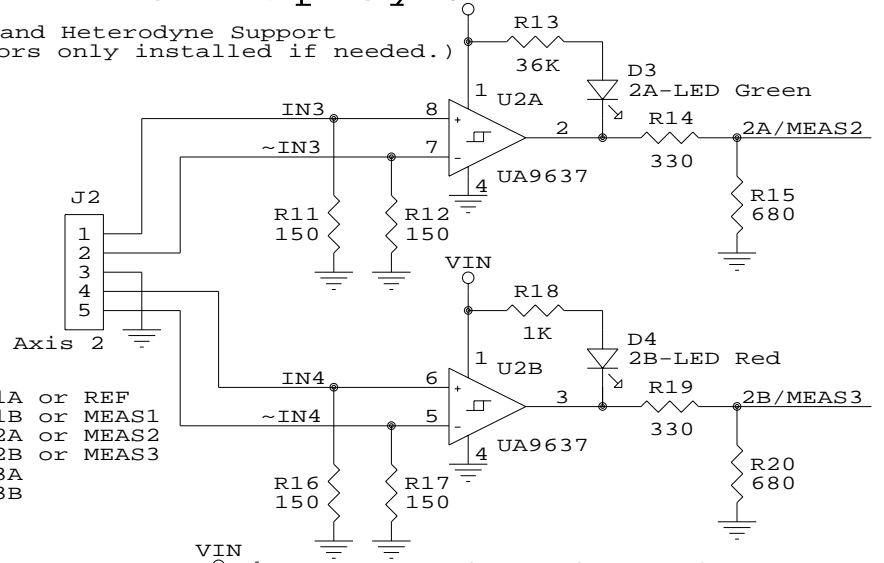


SG-uMD2 Measurement Display

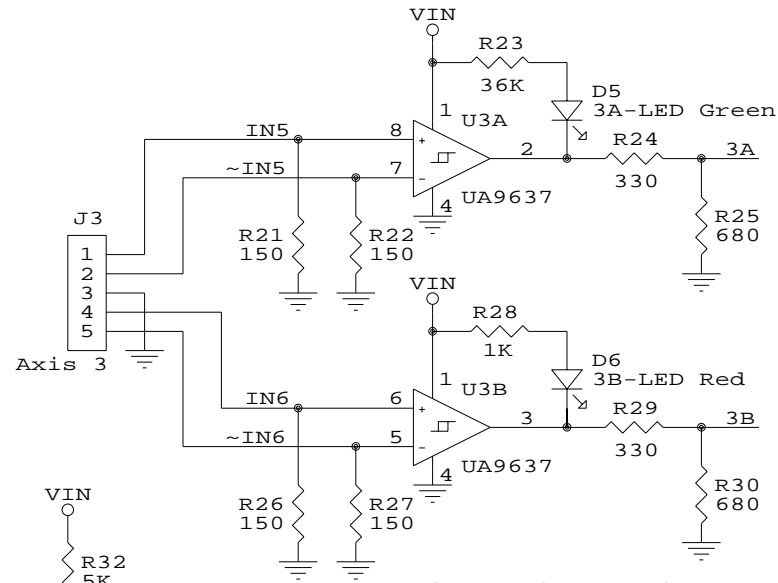
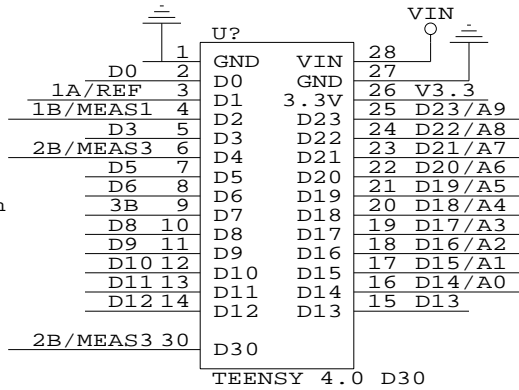
Combined Homodyne and Heterodyne Support
(Input termination resistors only installed if needed.)



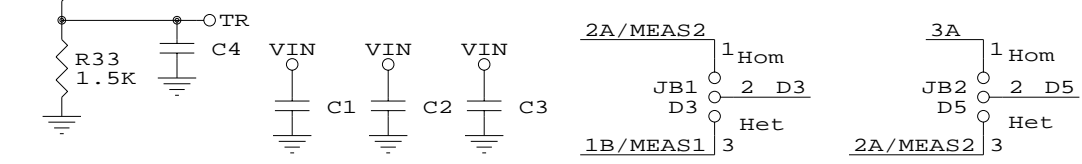
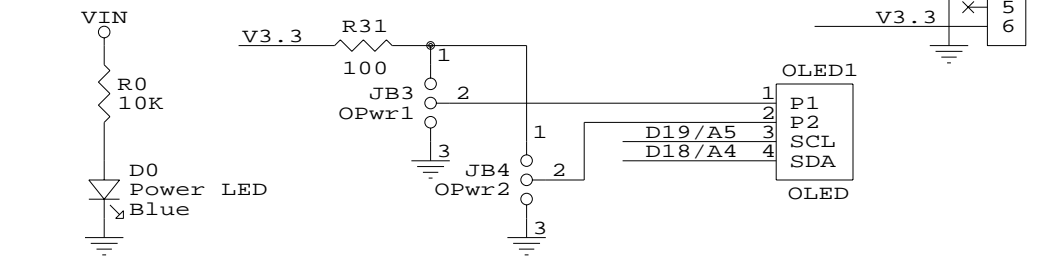
Axis 1 Line Receiver



Axis 2 Line Receiver



Axis 3 Line Receiver



- IN1: 1A or REF
- IN2: 1B or MEAS1
- IN3: 2A or MEAS2
- IN4: 2B or MEAS3
- IN5: 3A
- IN6: 3B

Samuel M. Goldwasser		
Repairfaq.org		
Title		
SG-uMD2 Measurement Display		
Size	Document Number	REV
A	SG-uMD2	1.1
Date:	January 4, 2021	Sheet of
	3	2 1