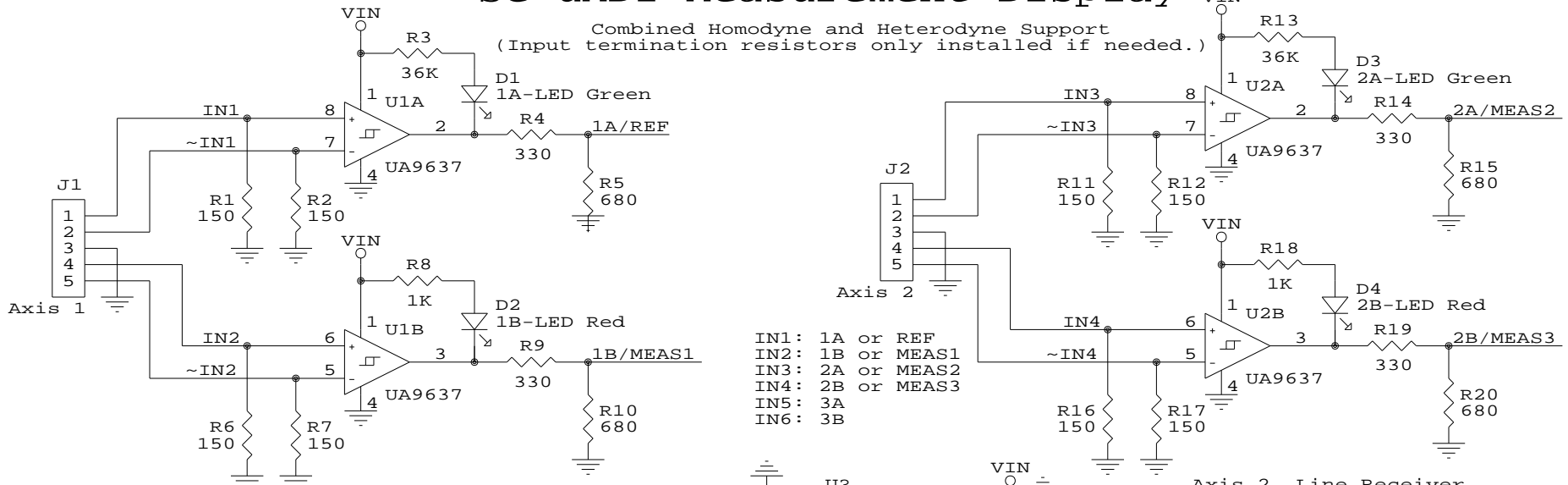
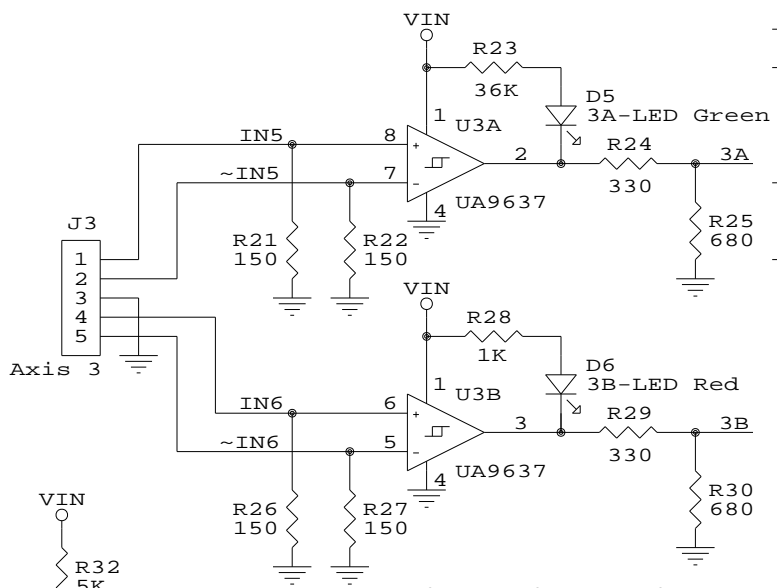
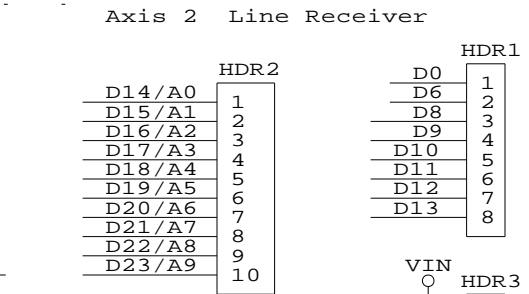
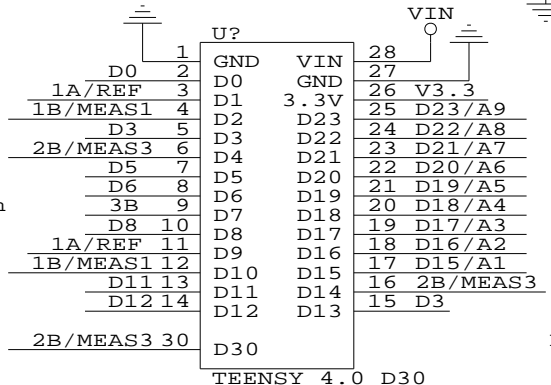


# SG-uMD2 Measurement Display

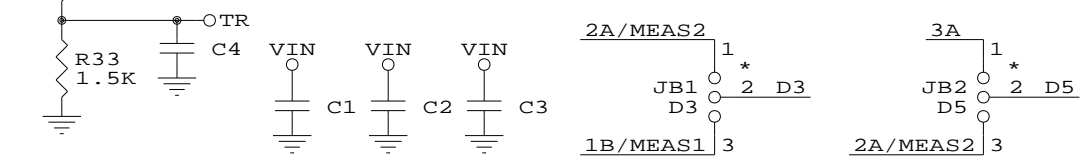
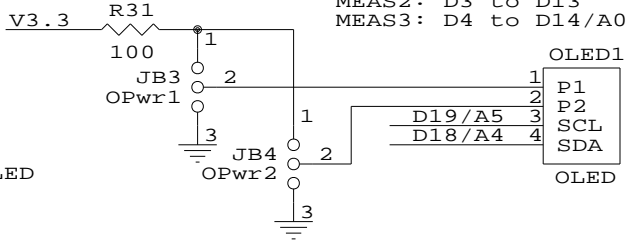
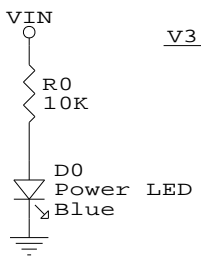
Combined Homodyne and Heterodyne Support  
(Input termination resistors only installed if needed.)



- IN1: 1A or REF
- IN2: 1B or MEAS1
- IN3: 2A or MEAS2
- IN4: 2B or MEAS3
- IN5: 3A
- IN6: 3B



REF: D1 to D9  
MEAS1: D2 to D10  
MEAS2: D3 to D13  
MEAS3: D4 to D14/A0



Samuel M. Goldwasser		
Repairfaq.org		
Title SG-uMD2 Measurement Display		
Size	Document Number	REV
A	SG-uMD2	1.2
Date:	January 15, 2021	Sheet of