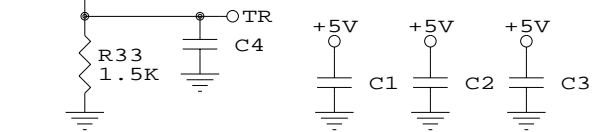
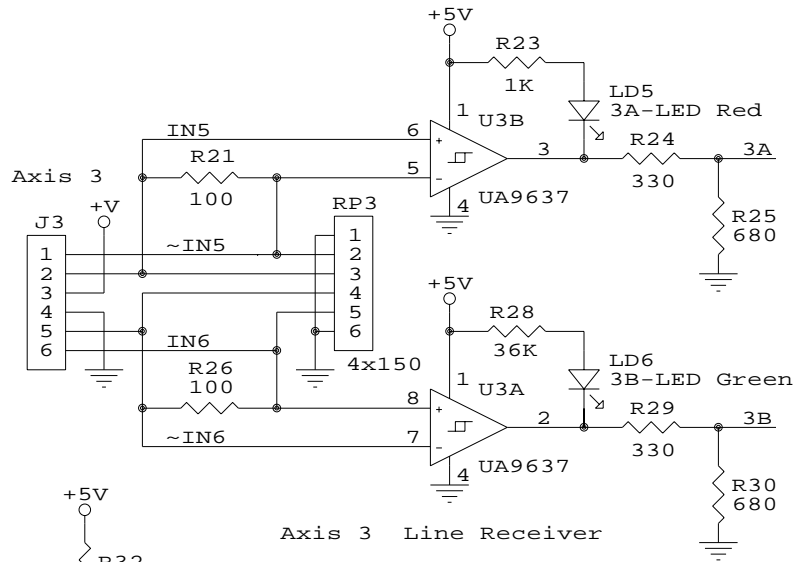
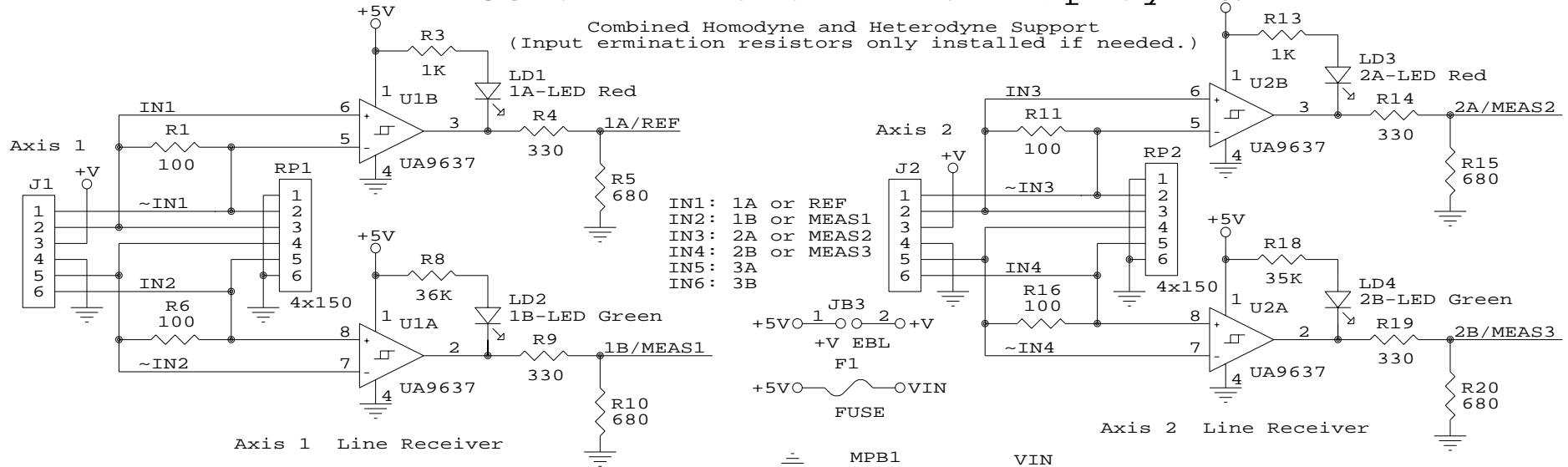
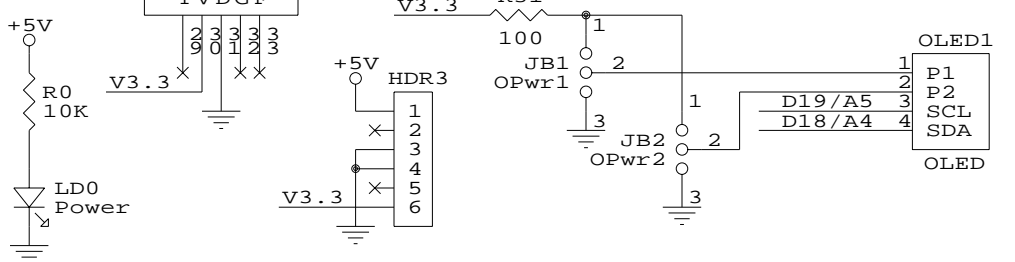
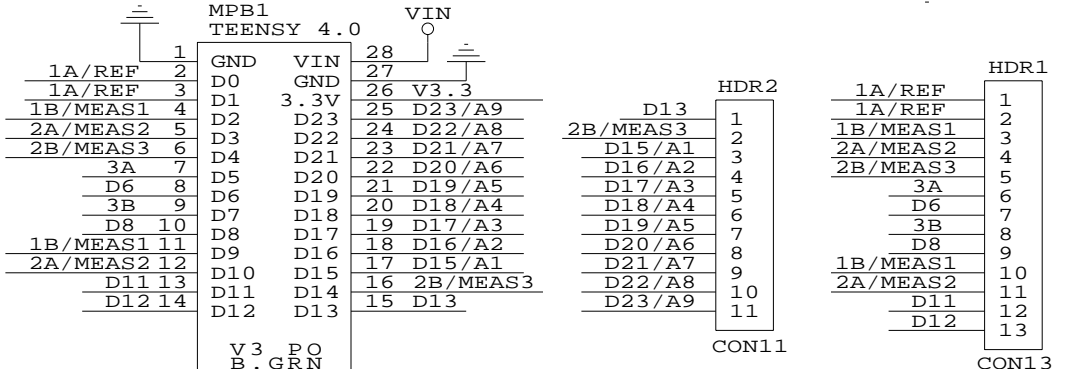


SG-uMD2 Measurement Display

Combined Homodyne and Heterodyne Support
(Input termination resistors only installed if needed.)



REF: D0 Pin 2
MEAS1 D9 Pin 11
MEAS2 D10 Pin 12
MEAS3 D14 Pin 16



Samuel M. Goldwasser		
Repairfaq.org		
Title		
SG-uMD2 Measurement Display		
Size	Document Number	REV
A	SG-uMD2	1.4
Date:	June 17, 2023	Sheet of